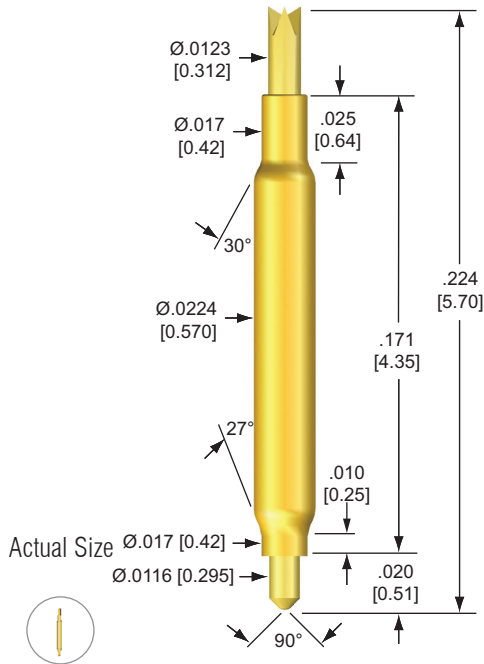
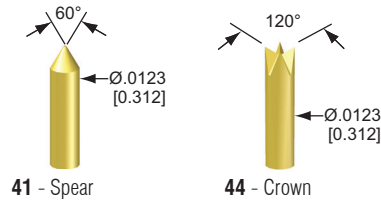


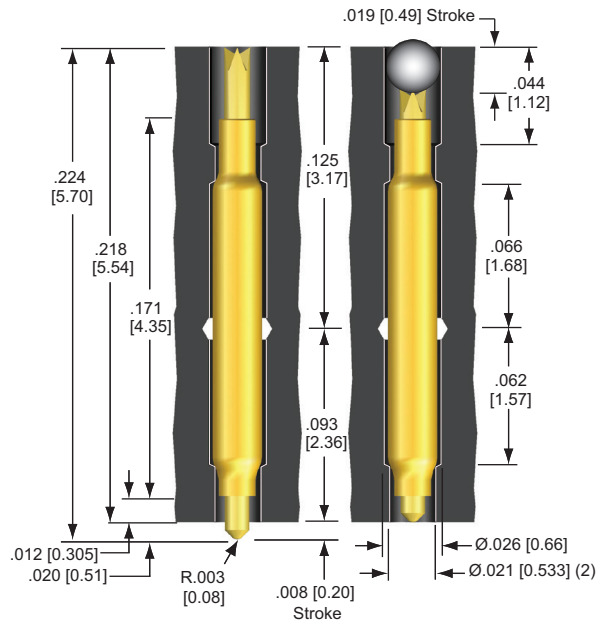
Probe



Tip Styles for DUT Side Only



Example of Mounting Configuration



Actual stroke and plate thickness may vary based on application.

Probe P/N

M08-PRG89 example: M08-PRG8941S

Tube	Letter	Material/Finish	Average Resistance	Current Rating ¹		
G		Copper alloy/gold plated	< 40 mOhms	6.1 Amps		
Tip Style	Digits	Material/Finish				
See Tips		Heat treated BeCu/gold plated over nickel				
Spring	Letter	Spring Force	Preload	@ .027 [.69] Stroke	Material	Cycle Life @ Stroke
S	Standard	.32 [9.0]	.95 [27]	SS	1M @ .027 [0.685]	
H	High	.49 [14]	1.48 [42]	SS	1M @ .027 [0.685]	

¹ Current Rating is affected by spring material. Operating temperature for SS springs is 204°C maximum. Before using probes near these current limits, please refer to Current Carrying Capacity and Operating Temperature Application Notes.

Spring Force

